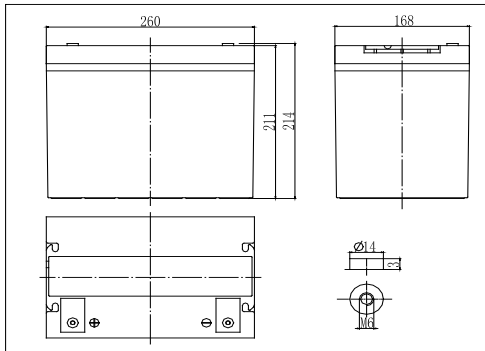


RPower OGiV12800LW (12V 80Ah AGM Battery)

Floating Life at 20°C designed for up to 12 years

EAN: 4260349823562

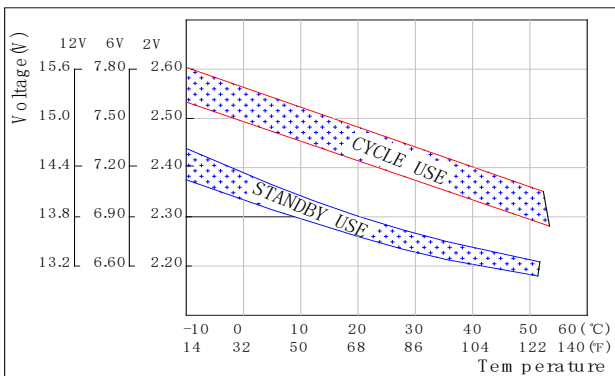
Dimensions



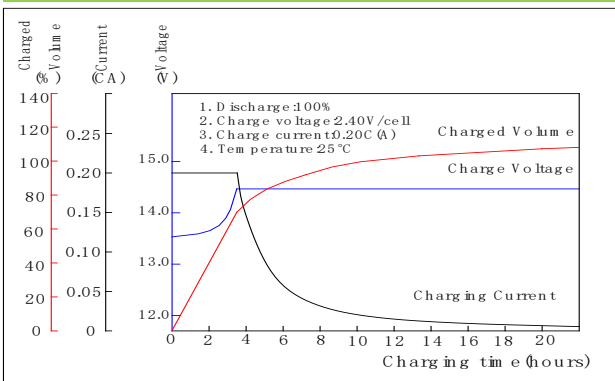
Technische Daten

Spannung		12V
Kapazität (C20)		80Ah
Abmessung (±2mm)	Länge	260mm (10.2inch)
	Breite	168mm (6.61inch)
	Höhe	211mm (8.31inch)
	Totale Höhe	214mm (8.43inch)
Gewicht		22.40kg (49.38lbs)
Max. Ladestrom		24A
Max. Entladestrom		800A (5sec.)
Innenwiderstand		Approx. 5.5mΩ
Kapazität Temperatur abhängig (C20)	40°C	103%
	25°C	100%
	0°C	86%
	-15°C	65%
Selbstentladung (25°C)	3 Monate	Restkapazität: 91%
	6 Monate	Restkapazität: 82%
	12 Monate	Restkapazität: 65%
Nennbetriebstemperatur		25°C ±3°C (77°F±5°F)
Betriebstemperatur		-20°C~55°C (-4°F~131°F)
Erhaltungsladung (25°C)		13.65 to 13.80V
Zyklische Ladung (25°C)		14.40 to 15.00V

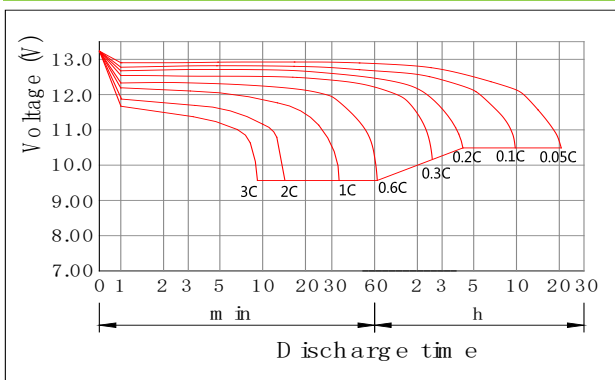
The Relationship for Charging Voltage and Temperature



Charging Characteristics (25°C)



Discharge Characteristics (25°C)



Unveränderliche Entladewerte (Ampere / Zelle, 25°C)

FV / TIME	5min	10min	15min	20min	30min	45min	1h	2h	3h	4h	5h	6h	8h	10h	20h
10.98V	202.00	134.00	109.00	89.10	69.00	51.70	43.70	27.10	18.90	15.50	13.20	11.60	9.07	7.84	4.13
10.80V	212.00	141.00	114.00	92.90	71.40	53.60	45.20	27.60	19.40	15.90	13.60	11.90	9.31	8.00	4.20
10.50V	224.00	150.00	120.00	98.10	74.20	55.60	46.70	28.40	20.00	16.40	14.00	12.20	9.60	8.06	4.23
10.20V	224.00	150.00	120.00	98.10	74.20	55.60	46.70	28.40	20.00	16.40	14.00	12.20	9.60	8.06	4.23
9.90V	244.00	163.00	129.00	105.00	78.40	58.80	48.90	29.10	20.30	16.60	14.20	12.40	9.73	8.13	4.27
9.60V	252.00	168.00	132.00	108.00	80.00	60.00	49.60	29.20	20.40	16.70	14.30	12.50	9.79	8.14	4.28

Unveränderliche Entladewerte (Watt / Zelle, 25°C)

FV / TIME	5min	10min	15min	20min	30min	45min	1h	2h	3h	4h	5h	6h	8h	10h	20h
10.98V	2117.00	1452.00	1196.00	978.00	774.00	580.00	498.00	313.00	222.00	182.00	156.00	137.00	108.00	93.60	49.50
10.80V	2223.00	1524.00	1246.00	1020.00	802.00	601.00	516.00	320.00	228.00	187.00	161.00	140.00	111.00	95.50	50.40
10.50V	2355.00	1615.00	1316.00	1077.00	832.00	624.00	532.00	329.00	235.00	193.00	165.00	145.00	114.00	96.20	50.80
10.20V	2461.00	1687.00	1362.00	1115.00	853.00	640.00	543.00	334.00	237.00	194.00	167.00	146.00	115.00	96.80	51.10
9.90V	2567.00	1760.00	1415.00	1157.00	880.00	660.00	557.00	337.00	238.00	196.00	168.00	147.00	116.00	97.00	51.20
9.60V	2646.00	1814.00	1449.00	1186.00	898.00	673.00	565.00	339.00	240.00	197.00	169.00	148.00	116.00	97.20	51.30