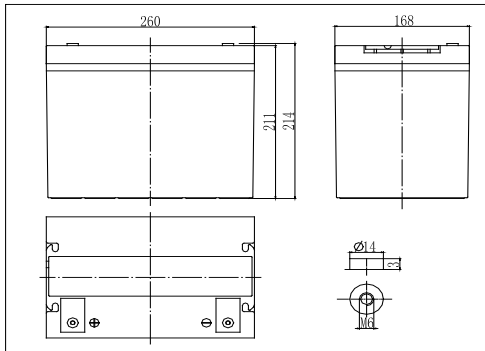


RPower OGiV12750LP (12V 75Ah AGM Battery)

Floating Life at 20°C designed for up to 12 years

EAN: 4260349823401

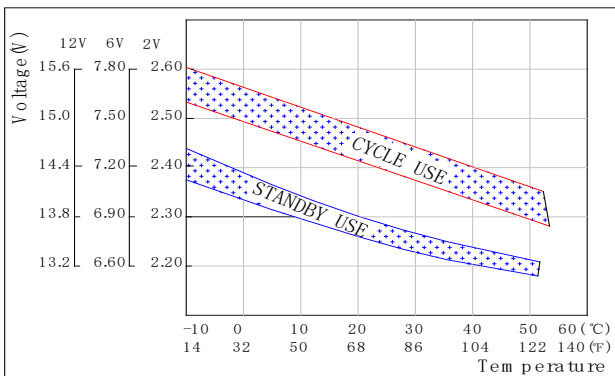
Dimensions



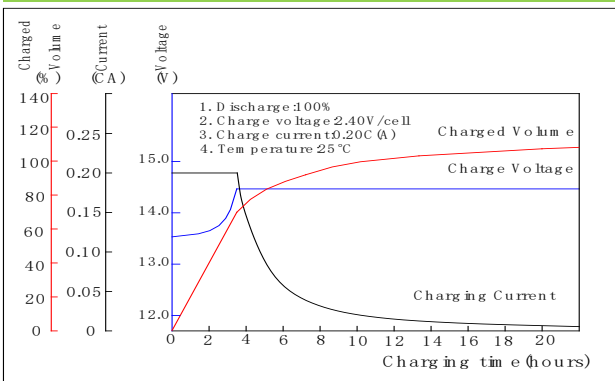
Technische Daten

Spannung		12V
Kapazität (C20)		75Ah
Abmessung (±2mm)	Länge	258mm (10.2inch)
	Breite	166mm (6.54inch)
	Höhe	206mm (8.11inch)
	Totale Höhe	215mm (8.46inch)
Gewicht		22.50kg (49.60lbs)
Max. Ladestrom		22.5A
Max. Entladestrom		700A (5sec.)
Innenwiderstand		Approx. 5.7mΩ
Kapazität Temperatur abhängig (C20)	40°C	103%
	25°C	100%
	0°C	86%
	-15°C	65%
Selbstentladung (25°C)	3 Monate	Restkapazität: 91%
	6 Monate	Restkapazität: 82%
	12 Monate	Restkapazität: 65%
Nennbetriebstemperatur		25°C ±3°C (77°F±5°F)
Betriebstemperatur		-20°C~55°C (-4°F~131°F)
Erhaltungsladung (25°C)		13.65 to 13.80V
Zyklische Ladung (25°C)		14.40 to 15.00V

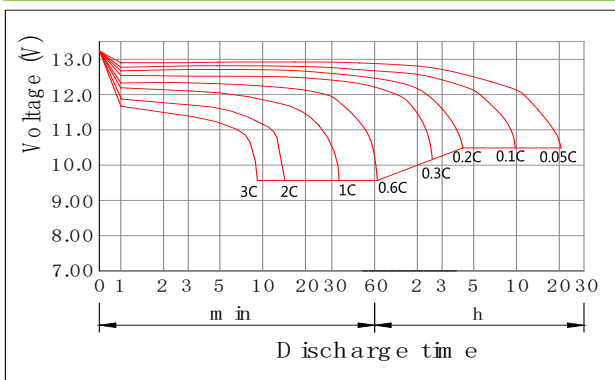
The Relationship for Charging Voltage and Temperature



Charging Characteristics (25°C)



Discharge Characteristics (25°C)



Unveränderliche Entladewerte (Ampere / Zelle, 25°C)

FV / TIME	5min	10min	15min	20min	30min	45min	1h	2h	3h	4h	5h	6h	8h	10h	20h
10.98V	174.60	134.83	108.64	89.82	70.91	51.70	42.10	24.93	19.21	15.23	12.90	11.06	8.68	7.28	3.93
10.80V	180.00	139.00	112.00	92.60	73.10	53.30	43.40	25.70	19.80	15.70	13.30	11.40	8.95	7.50	4.05
10.50V	195.00	151.00	117.00	96.10	73.60	53.70	45.30	26.80	20.60	16.20	13.50	11.50	9.04	7.55	4.08
10.20V	206.00	158.00	122.00	99.40	77.00	55.00	46.90	27.50	21.00	16.60	13.90	11.80	9.18	7.60	4.10
9.90V	222.00	169.00	131.00	104.00	78.30	56.40	47.50	27.90	21.40	16.80	14.10	12.00	9.26	7.65	4.13
9.60V	240.00	178.00	137.00	109.00	81.80	61.70	50.20	28.90	21.80	17.10	14.30	12.10	9.33	7.67	4.14

Unveränderliche Entladewerte (Watt / Zelle, 25°C)

FV / TIME	5min	10min	15min	20min	30min	45min	1h	2h	3h	4h	5h	6h	8h	10h	20h
10.98V	1984.62	1519.02	1233.84	1024.32	820.62	616.92	490.04	288.67	221.16	176.93	126.88	126.88	97.78	80.32	43.36
10.80V	2046.00	1566.00	1272.00	1056.00	846.00	636.00	505.20	297.60	228.00	182.40	130.80	130.80	100.80	82.80	44.70
10.50V	2136.00	1644.00	1338.00	1098.00	852.00	666.00	519.00	301.80	229.80	183.60	132.60	132.60	103.20	85.20	45.06
10.20V	2250.00	1740.00	1422.00	1146.00	870.00	666.00	538.80	309.60	233.40	184.80	132.60	132.60	103.80	86.40	45.24
9.90V	2418.00	1800.00	1446.00	1182.00	918.00	708.00	561.60	316.80	235.20	187.80	159.60	135.60	106.20	88.20	45.60
9.60V	2478.00	1884.00	1476.00	1212.00	948.00	720.00	574.20	324.60	241.20	190.80	160.80	137.40	108.00	90.60	45.72